

Search

Total results: 4.



## **Promoting generational renewal through the Czech National Rural Network** <sup>[1]</sup>

Keywords:

Agriculture, Competitiveness, Information & promotion activities, Networking, Young farmers

Countries:

Czech Republic

A series of seminars to create opportunities for formal and tacit knowledge transfer between experienced farmers and newcomers to agriculture.

## La Route de l'innovation du RwDR



## [The Innovation Route of the Walloon rural development network](#) [2]

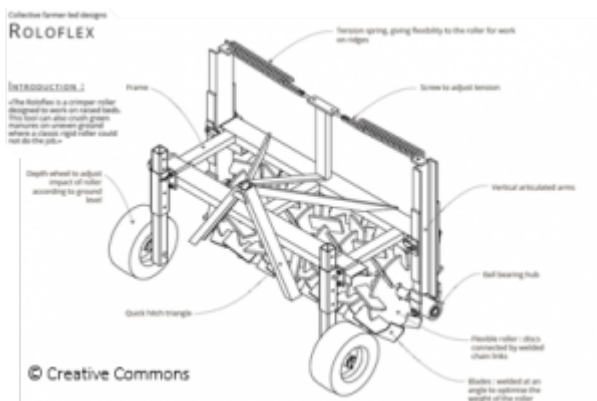
Keywords:

Agriculture, Cooperation, Innovation, Stakeholder involvement

Countries:

Belgium

An educational peer-to-peer programme for farmers that are engaged into innovative practices, facilitated through participative techniques and scientific expertise.



## [USAGES - peasants' knowledge base for the Commons](#) [3]

Keywords:

Agriculture, Innovation, Smart Villages, Young farmers

Countries:

France

A small group of young farmers started an initiative of collecting and sharing low tech on farm

solutions, which then evolved into an digital open platform for disseminating innovations.



## Promoting Rural Development on the TV [4]

Keywords:

Communication, Information & promotion activities

Countries:

Estonia

An Estonian NRN TV-project helped change the public perception about rural life.

---

### Source URL:

[https://enrd.ec.europa.eu/projects-practice/\\_en?project\\_keywords\\_filter=19753&project\\_country=All&field\\_enrd\\_prj\\_measure\\_tid=All&field\\_enrd\\_prj\\_focus\\_area\\_tid=All&im\\_field\\_enrd\\_prj\\_keywords%3A20479&sm\\_enrd\\_eu\\_countries%3AUnited%20Kingdom&sm\\_enrd\\_eu\\_countries%3AFrance&sm\\_enrd\\_eu\\_countries%3AGermany&im\\_field\\_enrd\\_prj\\_keywords%3A19747&im\\_field\\_enrd\\_prj\\_keywords%3A19738&sm\\_enrd\\_eu\\_countries%3ALithuania&sm\\_enrd\\_eu\\_countries%3ACzech%20Republic&sm\\_enrd\\_eu\\_countries%3AEstonia&im\\_field\\_enrd\\_prj\\_keywords%3A19720&im\\_field\\_enrd\\_prj\\_keywords%3A20509&im\\_field\\_enrd\\_prj\\_measure%3A17111&sm\\_enrd\\_eu\\_countries%3ABelgium](https://enrd.ec.europa.eu/projects-practice/_en?project_keywords_filter=19753&project_country=All&field_enrd_prj_measure_tid=All&field_enrd_prj_focus_area_tid=All&im_field_enrd_prj_keywords%3A20479&sm_enrd_eu_countries%3AUnited%20Kingdom&sm_enrd_eu_countries%3AFrance&sm_enrd_eu_countries%3AGermany&im_field_enrd_prj_keywords%3A19747&im_field_enrd_prj_keywords%3A19738&sm_enrd_eu_countries%3ALithuania&sm_enrd_eu_countries%3ACzech%20Republic&sm_enrd_eu_countries%3AEstonia&im_field_enrd_prj_keywords%3A19720&im_field_enrd_prj_keywords%3A20509&im_field_enrd_prj_measure%3A17111&sm_enrd_eu_countries%3ABelgium)

### Links

- [1] [https://enrd.ec.europa.eu/projects-practice/promoting-generational-renewal-through-czech-national-rural-network\\_en](https://enrd.ec.europa.eu/projects-practice/promoting-generational-renewal-through-czech-national-rural-network_en)
- [2] [https://enrd.ec.europa.eu/projects-practice/innovation-route-walloon-rural-development-network\\_en](https://enrd.ec.europa.eu/projects-practice/innovation-route-walloon-rural-development-network_en)
- [3] [https://enrd.ec.europa.eu/projects-practice/usages-peasants-knowledge-base-commons\\_en](https://enrd.ec.europa.eu/projects-practice/usages-peasants-knowledge-base-commons_en)
- [4] [https://enrd.ec.europa.eu/projects-practice/promoting-rural-development-tv\\_en](https://enrd.ec.europa.eu/projects-practice/promoting-rural-development-tv_en)