

Search

Total results: 3.



[In the footsteps of the old flavours of Przeworsk county](#) ^[1]

Keywords:

Culture, Demography, Food & Drink, Local food, Market development, Product quality, Women, Youth

Countries:

Poland

A project that aimed to mobilise society, build inter-generational cooperation and promote the region's culinary tradition as means to preserve its cultural heritage.



Exploring low carbon emission solutions in agriculture [2]

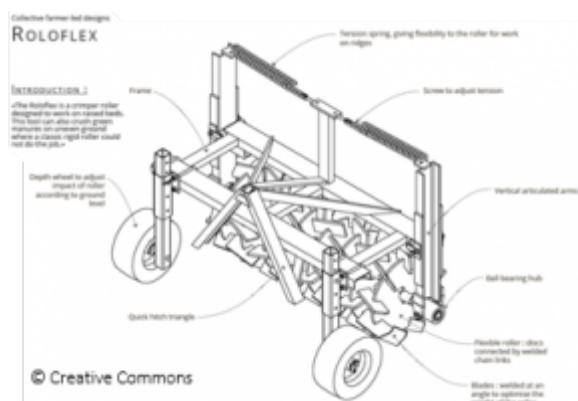
Keywords:

Agriculture, Animal husbandry, Climate change adaptation, Cooperation, GHG & ammonia emissions

Countries:

Poland

Bringing together public authorities, research institutes and farmers to explore low carbon emission production models in agriculture.



USAGES - peasants' knowledge base for the Commons [3]

Keywords:

Agriculture, Innovation, Smart Villages, Young farmers

Countries:

France

A small group of young farmers started an initiative of collecting and sharing low tech on farm solutions, which then evolved into an digital open platform for disseminating innovations.

Source URL:

https://enrd.ec.europa.eu/projects-practice/_en?project_keywords_filter=19753&project_country=All

&%3B&%3Bfield_enrd_prj_measure_tid=All&%3B&%3Bfield_enrd_prj_focus_area_tid=All&%3B&%3Bf%5B0%5D=im_field_enrd_prj_keywords%3A20479&%3Bf%5B0%5D=sm_enrd_eu_countries%3AFrance&f%5B0%5D=im_field_enrd_prj_keywords%3A20645&f%5B1%5D=im_field_enrd_prj_keywords%3A19724&f%5B2%5D=im_fi
eld_enrd_prj_keywords%3A19764&f%5B3%5D=im_field_enrd_prj_keywords%3A19731&f%5B4%5D=sm_enrd_eu_coun
tries%3Aireland&f%5B5%5D=sm_enrd_eu_countries%3AGreece&f%5B6%5D=sm_enrd_eu_countries%3APoland&f%5B
7%5D=im_field_enrd_prj_keywords%3A20533&f%5B8%5D=im_field_enrd_prj_keywords%3A19728&f%5B9%5D=im_fie
ld_enrd_prj_measure%3A17111&f%5B10%5D=sm_enrd_eu_countries%3AFrance&f%5B11%5D=im_field_enrd_prj_key
words%3A19735

Links

- [1] https://enrd.ec.europa.eu/projects-practice/footsteps-old-flavours-przeworsk-county_en
- [2] https://enrd.ec.europa.eu/projects-practice/exploring-low-carbon-emission-solutions-agriculture_en
- [3] https://enrd.ec.europa.eu/projects-practice/usages-peasants-knowledge-base-commons_en