

Search

Total results: 12.



## [In the footsteps of the old flavours of Przeworsk county](#) <sup>[1]</sup>

Keywords:

Culture, Demography, Food & Drink, Local food, Market development, Product quality, Women, Youth

Countries:

Poland

A project that aimed to mobilise society, build inter-generational cooperation and promote the region's culinary tradition as means to preserve its cultural heritage.



## [It happens in Loco - Alto Minho Mountain](#) [2]

Keywords:

Cooperation, Entrepreneurship, Information & promotion activities, Innovation, Knowledge transfer, Mountain area

Countries:

Portugal

A Technical Assistance project about empowering local and regional actors to work more effectively with rural communities in order to revitalise these areas.



## [i9Rural - Technical Assistance and Transfer of Innovation for Forestry and Agriculture](#) [3]

Keywords:

Added value, Agriculture, Cooperation, Forestry, Innovation, Knowledge transfer, Networking

Countries:

Portugal

A project to allow small businesses in the agricultural and forestry sectors to incorporate innovation more efficiently.



<http://www.observatorio.org>

## **Agrolnov - Innovation in Rural areas** [4]

Keywords:

Added value, Agriculture, Entrepreneurship, Innovation, Knowledge transfer, Networking

Countries:

Portugal

The knowledge generated in research and innovation projects is hard to access, thus it is vital to create networks for knowledge transfer between production and research.



© <http://cmszp.cz/>

## **Promoting generational renewal through the Czech National Rural Network** [5]

Keywords:

Agriculture, Competitiveness, Information & promotion activities, Networking, Young farmers

Countries:

Czech Republic

A series of seminars to create opportunities for formal and tacit knowledge transfer between experienced farmers and newcomers to agriculture.



## **Exploring low carbon emission solutions in agriculture** [6]

Keywords:

Agriculture, Animal husbandry, Climate change adaptation, Cooperation, GHG & ammonia emissions

Countries:

Poland

Bringing together public authorities, research institutes and farmers to explore low carbon emission production models in agriculture.



## **Training on small scale water retention** [7]

Keywords:

Advisory services, Education & lifelong learning, Water management

Countries:

Poland

Training on small-scale water retention was provided to the staff of relevant regional authorities in order to confront the impact of climate change at regional level.



## [Using the technical assistance measure to organise a study tour on organic farming](#) [8]

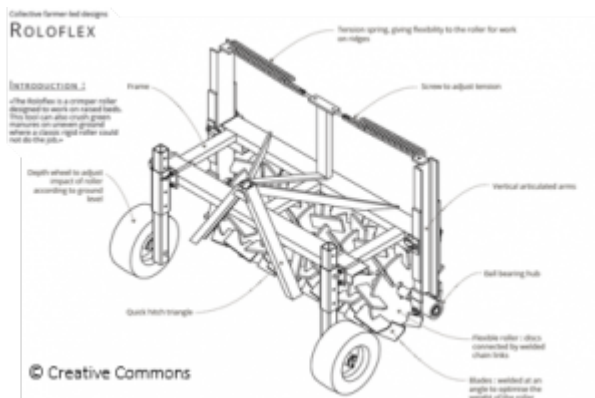
Keywords:

Education & lifelong learning, Organic farming, Vocational training & skills acquisition, Young farmers, Youth

Countries:

Poland

The regional rural network of Silesia in Poland organised a study tour for its members in Scotland to raise awareness and improve their skills on organic farming.



## [USAGES - peasants' knowledge base for the Commons](#) [9]

Keywords:

Agriculture, Innovation, Smart Villages, Young farmers

Countries:

France

A small group of young farmers started an initiative of collecting and sharing low tech on farm solutions, which then evolved into an digital open platform for disseminating innovations.



## [Creating the Vistula valley cultural and culinary brand](#) [10]

Keywords:

Added value, Diversification, Information & promotion activities, Local food, Tourism

Countries:

Poland

EU funding contributed to create and promote a new cultural and culinary brand for the attractive Vistula valley in Poland, helping the region to entice tourists.

## Pages

**1**

[2](#) [11]

[next >](#) [11]

[last »](#) [11]

---

### Source URL:

[https://enrd.ec.europa.eu/projects-practice/\\_en?project\\_keywords\\_filter=19753&amp%3Bamp%3Bproject\\_country=All&amp%3Bamp%3Bfield\\_enrd\\_prj\\_measure\\_tid=All&amp%3Bamp%3Bfield\\_enrd\\_prj\\_focus\\_area\\_tid=All&amp%3Bamp%3Bf%5B0%5D=im\\_field\\_enrd\\_prj\\_keywords%3A20479&amp%3Bf%5B0%5D=sm\\_enrd\\_eu\\_countries%3AFrance&f%5B0%5D=im\\_field\\_enrd\\_prj\\_keywords%3A19763&f%5B1%5D=im\\_field\\_enrd\\_prj\\_keywords%3A19722&f%5B2%5D=im\\_field\\_enrd\\_prj\\_keywords%3A20460&f%5B3%5D=im\\_field\\_enrd\\_prj\\_measure%3A17111&f%5B4%5D=im\\_field\\_enrd\\_prj\\_keywords%3A19743&f%5B5%5D=im\\_field\\_enrd\\_prj\\_keywords%3A19718&f%5B6%5D=im\\_field\\_enrd\\_prj\\_keywords%3A19721&f%5B7%5D=im\\_field\\_enrd\\_prj\\_keywords%3A19746&f%5B8%5D=im\\_field\\_enrd\\_prj\\_keywords%3A19719&f%5B9%5D=im\\_field\\_enrd\\_prj\\_keywords%3A19762&f%5B10%5D=im\\_field\\_enrd\\_prj\\_keywords%3A19760](https://enrd.ec.europa.eu/projects-practice/_en?project_keywords_filter=19753&amp%3Bamp%3Bproject_country=All&amp%3Bamp%3Bfield_enrd_prj_measure_tid=All&amp%3Bamp%3Bfield_enrd_prj_focus_area_tid=All&amp%3Bamp%3Bf%5B0%5D=im_field_enrd_prj_keywords%3A20479&amp%3Bf%5B0%5D=sm_enrd_eu_countries%3AFrance&f%5B0%5D=im_field_enrd_prj_keywords%3A19763&f%5B1%5D=im_field_enrd_prj_keywords%3A19722&f%5B2%5D=im_field_enrd_prj_keywords%3A20460&f%5B3%5D=im_field_enrd_prj_measure%3A17111&f%5B4%5D=im_field_enrd_prj_keywords%3A19743&f%5B5%5D=im_field_enrd_prj_keywords%3A19718&f%5B6%5D=im_field_enrd_prj_keywords%3A19721&f%5B7%5D=im_field_enrd_prj_keywords%3A19746&f%5B8%5D=im_field_enrd_prj_keywords%3A19719&f%5B9%5D=im_field_enrd_prj_keywords%3A19762&f%5B10%5D=im_field_enrd_prj_keywords%3A19760)

### Links

[1] [https://enrd.ec.europa.eu/projects-practice/footsteps-old-flavours-przeworsk-county\\_en](https://enrd.ec.europa.eu/projects-practice/footsteps-old-flavours-przeworsk-county_en)

[2] [https://enrd.ec.europa.eu/projects-practice/it-happens-loco-alto-minho-mountain\\_en](https://enrd.ec.europa.eu/projects-practice/it-happens-loco-alto-minho-mountain_en)

[3] [https://enrd.ec.europa.eu/projects-practice/i9rural-technical-assistance-and-transfer-innovation-forestry-and-agriculture\\_en](https://enrd.ec.europa.eu/projects-practice/i9rural-technical-assistance-and-transfer-innovation-forestry-and-agriculture_en)

[4] [https://enrd.ec.europa.eu/projects-practice/agroinov-innovation-rural-areas\\_en](https://enrd.ec.europa.eu/projects-practice/agroinov-innovation-rural-areas_en)

[5]

[https://enrd.ec.europa.eu/projects-practice/promoting-generational-renewal-through-czech-national-rural-network\\_en](https://enrd.ec.europa.eu/projects-practice/promoting-generational-renewal-through-czech-national-rural-network_en)

[6] [https://enrd.ec.europa.eu/projects-practice/exploring-low-carbon-emission-solutions-agriculture\\_en](https://enrd.ec.europa.eu/projects-practice/exploring-low-carbon-emission-solutions-agriculture_en)

[7] [https://enrd.ec.europa.eu/projects-practice/training-small-scale-water-retention\\_en](https://enrd.ec.europa.eu/projects-practice/training-small-scale-water-retention_en)

[8]

[https://enrd.ec.europa.eu/projects-practice/using-technical-assistance-measure-organise-study-tour-organic-farming\\_en](https://enrd.ec.europa.eu/projects-practice/using-technical-assistance-measure-organise-study-tour-organic-farming_en)

[9] [https://enrd.ec.europa.eu/projects-practice/usages-peasants-knowledge-base-commons\\_en](https://enrd.ec.europa.eu/projects-practice/usages-peasants-knowledge-base-commons_en)

[10] [https://enrd.ec.europa.eu/projects-practice/creating-vistula-valley-cultural-and-culinary-brand\\_en](https://enrd.ec.europa.eu/projects-practice/creating-vistula-valley-cultural-and-culinary-brand_en)

[11]

[https://enrd.ec.europa.eu/projects-practice/\\_en?page=1&project\\_keywords\\_filter=19753&project\\_country=All&field\\_enrd\\_prj\\_measure\\_tid=All&field\\_enrd\\_prj\\_focus\\_area\\_tid=All&field\\_enrd\\_prj\\_keywords%3A20479&field\\_enrd\\_prj\\_keywords%3A19763&field\\_enrd\\_prj\\_keywords%3A19722&field\\_enrd\\_prj\\_keywords%3A20460&field\\_enrd\\_prj\\_keywords%3A19718&field\\_enrd\\_prj\\_keywords%3A19743&field\\_enrd\\_prj\\_keywords%3A19721&field\\_enrd\\_prj\\_keywords%3A19746&field\\_enrd\\_prj\\_keywords%3A19719&field\\_enrd\\_prj\\_keywords%3A19762&field\\_enrd\\_prj\\_keywords%3A19760](https://enrd.ec.europa.eu/projects-practice/_en?page=1&project_keywords_filter=19753&project_country=All&field_enrd_prj_measure_tid=All&field_enrd_prj_focus_area_tid=All&field_enrd_prj_keywords%3A20479&field_enrd_prj_keywords%3A19763&field_enrd_prj_keywords%3A19722&field_enrd_prj_keywords%3A20460&field_enrd_prj_keywords%3A19718&field_enrd_prj_keywords%3A19743&field_enrd_prj_keywords%3A19721&field_enrd_prj_keywords%3A19746&field_enrd_prj_keywords%3A19719&field_enrd_prj_keywords%3A19762&field_enrd_prj_keywords%3A19760)