

Search

Total results: 10.

---



## [It happens in Loco - Alto Minho Mountain](#) <sup>[1]</sup>

Keywords:

Cooperation, Entrepreneurship, Information & promotion activities, Innovation, Knowledge transfer, Mountain area

Countries:

Portugal

A Technical Assistance project about empowering local and regional actors to work more effectively with rural communities in order to revitalise these areas.

# CEIA i9Rural

Assistência Técnica e Transferência de  
Inovação para a Floresta e Agricultura

## **i9Rural - Technical Assistance and Transfer of Innovation for Forestry and Agriculture** [2]

Keywords:

Added value, Agriculture, Cooperation, Forestry, Innovation, Knowledge transfer, Networking

Countries:

Portugal

A project to allow small businesses in the agricultural and forestry sectors to incorporate innovation more efficiently.



Photo: i9Rural

## **AgroInov - Innovation in Rural areas** [3]

Keywords:

Added value, Agriculture, Entrepreneurship, Innovation, Knowledge transfer, Networking

Countries:

Portugal

The knowledge generated in research and innovation projects is hard to access, thus it is vital to create networks for knowledge transfer between production and research.



## Promoting generational renewal through the Czech National Rural Network [4]

Keywords:

Agriculture, Competitiveness, Information & promotion activities, Networking, Young farmers

Countries:

Czech Republic

A series of seminars to create opportunities for formal and tacit knowledge transfer between experienced farmers and newcomers to agriculture.



## [Our village Orzechowo](#) [5]

Keywords:

Culture, Local Development Strategy, Rural services

Countries:

Poland

A bottom-up project that mobilised the inhabitants of a small town to create their own development plan.

*La Route de l'innovation du RwdR*



## [The Innovation Route of the Walloon rural development network](#) [6]

Keywords:

Agriculture, Cooperation, Innovation, Stakeholder involvement

Countries:

Belgium

An educational peer-to-peer programme for farmers that are engaged into innovative practices, facilitated through participative techniques and scientific expertise.



## **Training on small scale water retention** [7]

Keywords:

Advisory services, Education & lifelong learning, Water management

Countries:

Poland

Training on small-scale water retention was provided to the staff of relevant regional authorities in order to confront the impact of climate change at regional level.



## **Exchanging experiences on food hygiene and safety for small scale food processing** [8]

Keywords:

Education & lifelong learning, Local food

Countries:

Poland

A study tour in Italy and Austria enabled representatives of sanitary and epidemiological stations to gain new knowledge and exchange experiences on how to best supervise small-scale local food production.



## Using the technical assistance measure to organise a study tour on organic farming [9]

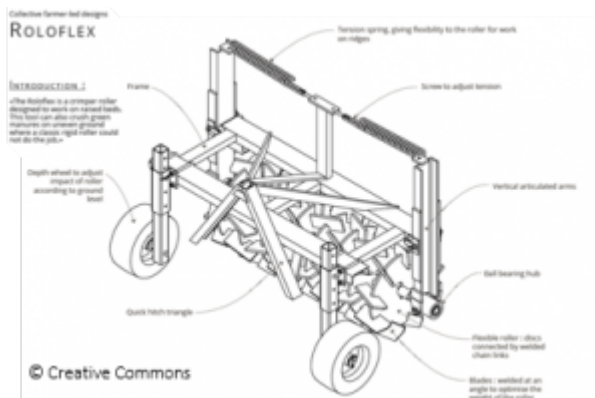
Keywords:

Education & lifelong learning, Organic farming, Vocational training & skills acquisition, Young farmers, Youth

Countries:

Poland

The regional rural network of Silesia in Poland organised a study tour for its members in Scotland to raise awareness and improve their skills on organic farming.



## USAGES - peasants' knowledge base for the Commons [10]

Keywords:

Agriculture, Innovation, Smart Villages, Young farmers

Countries:

France

A small group of young farmers started an initiative of collecting and sharing low tech on farm solutions, which then evolved into an digital open platform for disseminating innovations.

---

**Source URL:**

[https://enrd.ec.europa.eu/projects-practice/\\_en?project\\_keywords\\_filter=19753&project\\_country=All&field\\_enrd\\_prj\\_measure\\_tid=All&field\\_enrd\\_prj\\_focus\\_area\\_tid=All&im\\_field\\_enrd\\_prj\\_keywords%3A20461&sm\\_enrd\\_eu\\_countries%3ASweden&im\\_field\\_enrd\\_prj\\_keywords%3A19730&im\\_field\\_enrd\\_prj\\_keywords%3A20471&im\\_field\\_enrd\\_prj\\_keywords%3A19731&im\\_field\\_enrd\\_prj\\_keywords%3A19723&im\\_field\\_enrd\\_prj\\_keywords%3A19752&im\\_field\\_enrd\\_prj\\_keywords%3A19760&im\\_field\\_enrd\\_prj\\_keywords%3A20475&im\\_field\\_enrd\\_prj\\_keywords%3A19737&im\\_field\\_enrd\\_prj\\_keywords%3A19739&im\\_field\\_enrd\\_prj\\_measure%3A17111&im\\_field\\_enrd\\_prj\\_keywords%3A19763&im\\_field\\_enrd\\_prj\\_keywords%3A19753](https://enrd.ec.europa.eu/projects-practice/_en?project_keywords_filter=19753&project_country=All&field_enrd_prj_measure_tid=All&field_enrd_prj_focus_area_tid=All&im_field_enrd_prj_keywords%3A20461&sm_enrd_eu_countries%3ASweden&im_field_enrd_prj_keywords%3A19730&im_field_enrd_prj_keywords%3A20471&im_field_enrd_prj_keywords%3A19731&im_field_enrd_prj_keywords%3A19723&im_field_enrd_prj_keywords%3A19752&im_field_enrd_prj_keywords%3A19760&im_field_enrd_prj_keywords%3A20475&im_field_enrd_prj_keywords%3A19737&im_field_enrd_prj_keywords%3A19739&im_field_enrd_prj_measure%3A17111&im_field_enrd_prj_keywords%3A19763&im_field_enrd_prj_keywords%3A19753)

**Links**

[1] [https://enrd.ec.europa.eu/projects-practice/it-happens-loco-alto-minho-mountain\\_en](https://enrd.ec.europa.eu/projects-practice/it-happens-loco-alto-minho-mountain_en)

[2]

[https://enrd.ec.europa.eu/projects-practice/i9rural-technical-assistance-and-transfer-innovation-forestry-and-agriculture\\_en](https://enrd.ec.europa.eu/projects-practice/i9rural-technical-assistance-and-transfer-innovation-forestry-and-agriculture_en)

[3] [https://enrd.ec.europa.eu/projects-practice/agroinov-innovation-rural-areas\\_en](https://enrd.ec.europa.eu/projects-practice/agroinov-innovation-rural-areas_en)

[4]

[https://enrd.ec.europa.eu/projects-practice/promoting-generational-renewal-through-czech-national-rural-network\\_en](https://enrd.ec.europa.eu/projects-practice/promoting-generational-renewal-through-czech-national-rural-network_en)

[5] [https://enrd.ec.europa.eu/projects-practice/our-village-orzechowo\\_en](https://enrd.ec.europa.eu/projects-practice/our-village-orzechowo_en)

[6] [https://enrd.ec.europa.eu/projects-practice/innovation-route-walloon-rural-development-network\\_en](https://enrd.ec.europa.eu/projects-practice/innovation-route-walloon-rural-development-network_en)

[7] [https://enrd.ec.europa.eu/projects-practice/training-small-scale-water-retention\\_en](https://enrd.ec.europa.eu/projects-practice/training-small-scale-water-retention_en)

[8]

[https://enrd.ec.europa.eu/projects-practice/exchanging-experiences-food-hygiene-and-safety-small-scale-food-processing\\_en](https://enrd.ec.europa.eu/projects-practice/exchanging-experiences-food-hygiene-and-safety-small-scale-food-processing_en)

[9]

[https://enrd.ec.europa.eu/projects-practice/using-technical-assistance-measure-organise-study-tour-organic-farming\\_en](https://enrd.ec.europa.eu/projects-practice/using-technical-assistance-measure-organise-study-tour-organic-farming_en)

[10] [https://enrd.ec.europa.eu/projects-practice/usages-peasants-knowledge-base-commons\\_en](https://enrd.ec.europa.eu/projects-practice/usages-peasants-knowledge-base-commons_en)