

Search

Total results: 4.

---



## [It happens in Loco - Alto Minho Mountain](#) <sup>[1]</sup>

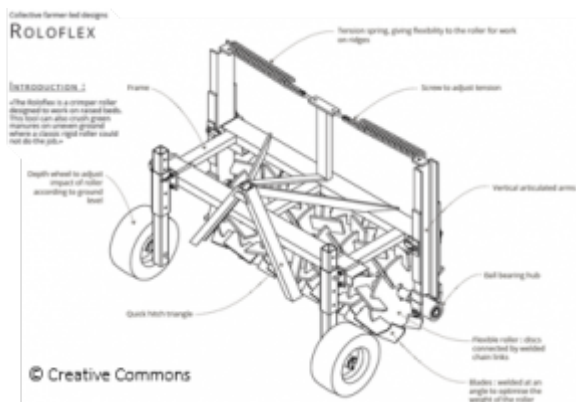
Keywords:

Cooperation, Entrepreneurship, Information & promotion activities, Innovation, Knowledge transfer, Mountain area

Countries:

Portugal

A Technical Assistance project about empowering local and regional actors to work more effectively with rural communities in order to revitalise these areas.



## **USAGES - peasants' knowledge base for the Commons** [2]

Keywords:

Agriculture, Innovation, Smart Villages, Young farmers

Countries:

France

A small group of young farmers started an initiative of collecting and sharing low tech on farm solutions, which then evolved into an digital open platform for disseminating innovations.



## **Promotion and sale of Slovak traditional products on farmers' markets** [3]

Keywords:

Direct marketing, Local food, Short supply chains & local markets

Countries:

Slovakia

The National Rural Network of Slovakia used RDP funds to support the organization of farmers' markets in different Slovak regions.



## Promoting Rural Development on the TV [4]

Keywords:

Communication, Information & promotion activities

Countries:

Estonia

An Estonian NRN TV-project helped change the public perception about rural life.

---

### **Source URL:**

[https://enrd.ec.europa.eu/projects-practice/\\_en?f%5B0%5D=im\\_field\\_enrd\\_prj\\_keywords%3A19761&f%5B1%5D=im\\_field\\_enrd\\_prj\\_keywords%3A19746&f%5B2%5D=im\\_field\\_enrd\\_prj\\_keywords%3A19744&f%5B3%5D=im\\_field\\_enrd\\_prj\\_keywords%3A20460&f%5B4%5D=im\\_field\\_enrd\\_prj\\_keywords%3A19763&f%5B5%5D=sm\\_enrd\\_eu\\_countries%3APortugal&f%5B6%5D=im\\_field\\_enrd\\_prj\\_keywords%3A19748&f%5B7%5D=sm\\_enrd\\_eu\\_countries%3AFrance&f%5B8%5D=im\\_field\\_enrd\\_prj\\_measure%3A17111&f%5B9%5D=sm\\_enrd\\_eu\\_countries%3AEstonia&f%5B10%5D=sm\\_enrd\\_eu\\_countries%3ASlovakia&f%5B11%5D=im\\_field\\_enrd\\_prj\\_keywords%3A20510](https://enrd.ec.europa.eu/projects-practice/_en?f%5B0%5D=im_field_enrd_prj_keywords%3A19761&f%5B1%5D=im_field_enrd_prj_keywords%3A19746&f%5B2%5D=im_field_enrd_prj_keywords%3A19744&f%5B3%5D=im_field_enrd_prj_keywords%3A20460&f%5B4%5D=im_field_enrd_prj_keywords%3A19763&f%5B5%5D=sm_enrd_eu_countries%3APortugal&f%5B6%5D=im_field_enrd_prj_keywords%3A19748&f%5B7%5D=sm_enrd_eu_countries%3AFrance&f%5B8%5D=im_field_enrd_prj_measure%3A17111&f%5B9%5D=sm_enrd_eu_countries%3AEstonia&f%5B10%5D=sm_enrd_eu_countries%3ASlovakia&f%5B11%5D=im_field_enrd_prj_keywords%3A20510)

### **Links**

[1] [https://enrd.ec.europa.eu/projects-practice/it-happens-loco-alto-minho-mountain\\_en](https://enrd.ec.europa.eu/projects-practice/it-happens-loco-alto-minho-mountain_en)

[2] [https://enrd.ec.europa.eu/projects-practice/usages-peasants-knowledge-base-commons\\_en](https://enrd.ec.europa.eu/projects-practice/usages-peasants-knowledge-base-commons_en)

[3] [https://enrd.ec.europa.eu/projects-practice/promotion-and-sale-slovak-traditional-products-farmers-markets-0\\_en](https://enrd.ec.europa.eu/projects-practice/promotion-and-sale-slovak-traditional-products-farmers-markets-0_en)

[4] [https://enrd.ec.europa.eu/projects-practice/promoting-rural-development-tv\\_en](https://enrd.ec.europa.eu/projects-practice/promoting-rural-development-tv_en)