

Search

Total results: 5.



## **HAPPYTERR - Innovative and Territorial Farmers' Alliance for the Successful Renewal of Agriculture** <sup>[1]</sup>

Keywords:

Agriculture, Entrepreneurship, Vocational training & skills acquisition, Young farmers

Countries:

France

A project to enhance the capacity of a social enterprise that supports new entrants in agriculture without any previous experience or linkages to the sector.



## **ACCESS'R - making services accessible to populations in rural areas** [2]

Keywords:

Demography, LEADER/CLLD, Networking, Rural services

Countries:

France

The ACCESS'R project aimed at collecting and disseminating ideas on how to develop new services for people living in rural areas.



## **COVID19: the 'Work Harvest' website for job placement in the agricultural sector** [3]

Keywords:

Agriculture, Information & promotion activities, Job creation

Countries:

Hungary

In response to the COVID-19 crisis, a website was set up under Rural Development Programme Technical Assistance to help match agricultural companies with jobseekers



## [Promoting generational renewal through the Czech National Rural Network](#) [4]

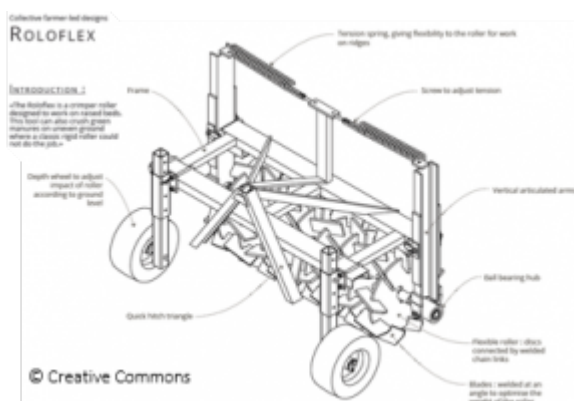
Keywords:

Agriculture, Competitiveness, Information & promotion activities, Networking, Young farmers

Countries:

Czech Republic

A series of seminars to create opportunities for formal and tacit knowledge transfer between experienced farmers and newcomers to agriculture.



## [USAGES - peasants' knowledge base for the Commons](#) [5]

Keywords:

Agriculture, Innovation, Smart Villages, Young farmers

Countries:

France

A small group of young farmers started an initiative of collecting and sharing low tech on farm solutions, which then evolved into an digital open platform for disseminating innovations.

---

**Source URL:**

[https://enrd.ec.europa.eu/projects-practice/\\_en?amp%3Bproject\\_keywords\\_filter=19753&amp%3Bamp%3Bproject\\_country=All&amp%3Bamp%3Bfield\\_enrd\\_prj\\_measure\\_tid=All&amp%3Bamp%3Bfield\\_enrd\\_prj\\_focus\\_area\\_tid=All&amp%3Bf%5B0%5D=im\\_field\\_enrd\\_prj\\_keywords%3A19751&f%5B0%5D=im\\_field\\_enrd\\_prj\\_keywords%3A19720&f%5B1%5D=im\\_field\\_enrd\\_prj\\_keywords%3A19733&f%5B2%5D=sm\\_enrd\\_eu\\_countries%3ACzech%20Republic&f%5B3%5D=im\\_field\\_enrd\\_prj\\_keywords%3A19743&f%5B4%5D=im\\_field\\_enrd\\_prj\\_keywords%3A20461&f%5B5%5D=im\\_field\\_enrd\\_prj\\_keywords%3A19731&f%5B6%5D=im\\_field\\_enrd\\_prj\\_measure%3A17111&f%5B7%5D=sm\\_enrd\\_eu\\_countries%3ALithuania&f%5B8%5D=sm\\_enrd\\_eu\\_countries%3AHungary&f%5B9%5D=im\\_field\\_enrd\\_prj\\_keywords%3A19742&f%5B10%5D=sm\\_enrd\\_eu\\_countries%3AFrance](https://enrd.ec.europa.eu/projects-practice/_en?amp%3Bproject_keywords_filter=19753&amp%3Bamp%3Bproject_country=All&amp%3Bamp%3Bfield_enrd_prj_measure_tid=All&amp%3Bamp%3Bfield_enrd_prj_focus_area_tid=All&amp%3Bf%5B0%5D=im_field_enrd_prj_keywords%3A19751&f%5B0%5D=im_field_enrd_prj_keywords%3A19720&f%5B1%5D=im_field_enrd_prj_keywords%3A19733&f%5B2%5D=sm_enrd_eu_countries%3ACzech%20Republic&f%5B3%5D=im_field_enrd_prj_keywords%3A19743&f%5B4%5D=im_field_enrd_prj_keywords%3A20461&f%5B5%5D=im_field_enrd_prj_keywords%3A19731&f%5B6%5D=im_field_enrd_prj_measure%3A17111&f%5B7%5D=sm_enrd_eu_countries%3ALithuania&f%5B8%5D=sm_enrd_eu_countries%3AHungary&f%5B9%5D=im_field_enrd_prj_keywords%3A19742&f%5B10%5D=sm_enrd_eu_countries%3AFrance)

## Links

- [1] [https://enrd.ec.europa.eu/projects-practice/happyterr-innovative-and-territorial-farmers-alliance-successful-renewal\\_en](https://enrd.ec.europa.eu/projects-practice/happyterr-innovative-and-territorial-farmers-alliance-successful-renewal_en)
- [2] [https://enrd.ec.europa.eu/projects-practice/accessr-making-services-accessible-populations-rural-areas\\_en](https://enrd.ec.europa.eu/projects-practice/accessr-making-services-accessible-populations-rural-areas_en)
- [3] [https://enrd.ec.europa.eu/projects-practice/covid19-work-harvest-website-job-placement-agricultural-sector\\_en](https://enrd.ec.europa.eu/projects-practice/covid19-work-harvest-website-job-placement-agricultural-sector_en)
- [4] [https://enrd.ec.europa.eu/projects-practice/promoting-generational-renewal-through-czech-national-rural-network\\_en](https://enrd.ec.europa.eu/projects-practice/promoting-generational-renewal-through-czech-national-rural-network_en)
- [5] [https://enrd.ec.europa.eu/projects-practice/usages-peasants-knowledge-base-commons\\_en](https://enrd.ec.europa.eu/projects-practice/usages-peasants-knowledge-base-commons_en)